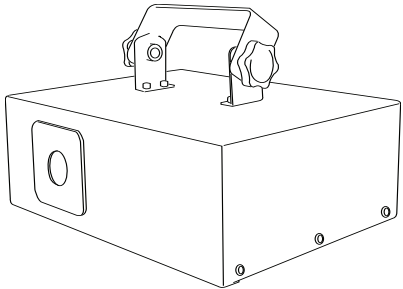


Maintenance

It is very important to keep the DMX CLUSTER laser light clean, therefore please keep the reflector lens clean. We suggest that clean the light with professional glass cleaning lotion and a soft cloth.

Due to continuous product development, specifications and appearance are subject to change. E&O E.



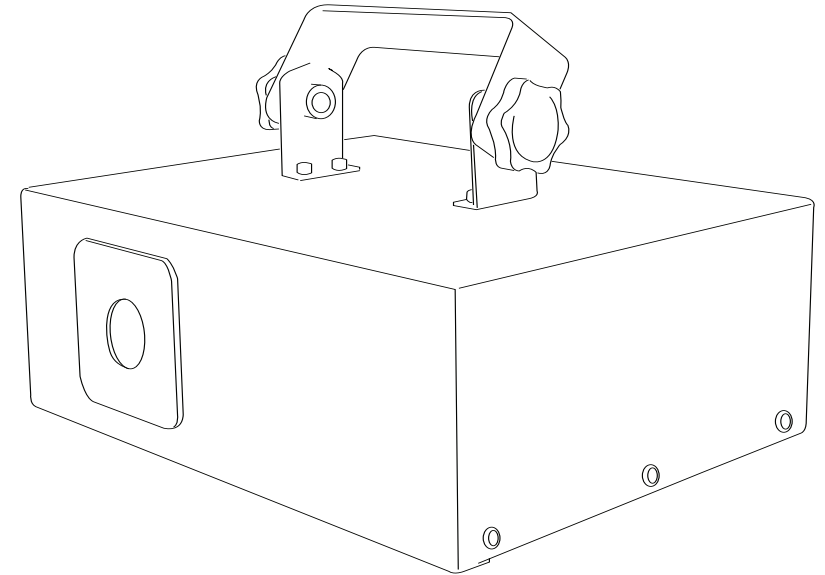
KAM
LIGHTING

LASER DMX STAR CLUSTER

KAM
LIGHTING

LASER DMX STAR CLUSTER

instruction manual



www.kam.co.uk

INTRODUCTION

Thank you for purchasing the DMX CLUSTER To optimize the performance of this product, prior to use, please read these operating instructions carefully to familiarize yourself with the basic operations of this unit. DMX CLUSTER has the KAM funky design and is an amazing Laser effect. Please keep these user instructions in safe place for future reference. This unit has been Tested at the factory before being shipped to you. There is no Assembly required.

WARNING!

To prevent or reduce the risk of electrical shock or fire, do not expose this unit to high Temperature / rain or moisture.

Laser Class 3B product. National Regulations must be adhered to at all steps of installation.

(In Germany apply DIN 56912 and BGVR LASER note: additional Regulations may apply).

Unintended reflections of the laser beam from reflective or metallic surfaces can be dangerous.

This appliance is to used by Qualified personnel only.

Laser Radiation Warning

This unit uses diode lasers in green and red colour. This is CLASS 3B laser product. Avoid exposure to eyes. Never open the laser diode box, please refer unit to a qualified engineer for servicing or repair

THE DMX CLUSTER

Laser beam effect. Has an Abundance of laser patterns single colour, double colour or three colours. With more than 200 Red and green laser points, the reflection angle is approximately 70 degrees.

Package list:

When you unpack the laser, please check contents
LASER x1
MAINS LEAD x 1
USER MANUAL x1

Please check the unit for any damage which may have been caused in transit, if any damage is found DO NOT operate the unit, please contact the dealer you purchased the unit from immediately

SPECIFICATION

Solid metal construction
 The DMX CLUSTER laser uses two colours of laser The laser Wavelength of 532nm laser emerald green colour and 650nm^o, red colour.
 Laser diode
 A double-temperature -controlled power supply. The laser light source has a long life span and high stability,
 complying with international standards.
 Built in laser blackout function, when no sound is heard the laser will enter blackout mode after 15 seconds
 DMX-512 signal control and music control, master and slave,

DMX CONNECTION

DMX INPUT: DMX signal input - Male XLR
DMX OUTPUT: DMX signal output - Female XLR
MIC: Sound active
Min-Max: Adjust the sensitivity knob for sound active
POWER SWITCH: ON/OFF power
FUSE: 3A Fuse

INSTRUCTIONS

Please ensure when mounting the laser that it is fixed to a suitable structure, capable of holding the weight of the unit and fit a safety chain from the light unit to the frame work Hang the projector and adjust its angle properly, then connect to the mains supply. Please not this unit must be earthed. ensure the correct voltage is being used this unit operates on 240v ac

TECHNICAL

Rated voltage: 240V ac
Rated frequency: 50HZ
Power consumption: ≤15w
Laser wavelength: 25-120mW/532nm, 100mW/650nm
Laser source: solid semi-conductor laser generator
Colour: emerald green, red
Dmx channels: 5

Control mode: music control or DMX-512 signal control,
 master and slave,
Cool system: fan
Operating environment: indoor use only

Dip switch 10 on is sound activated mode :

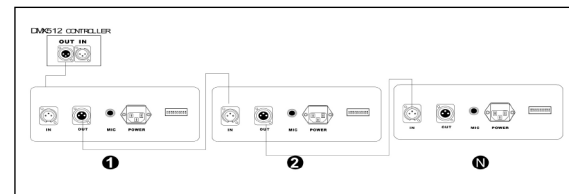
mode	Control switch (ON)
1 DMX-512 control	10:OFF
2 Single projector controlled by sound	1—9:OFF, 10:ON
3 Automatically run	1:ON, 10:ON
4 Master projector controlled by sound	1—9: OFF, 10: ON
5 Master projector by automatically run	1: ON, 10: ON
6 Slave projector	2: ON, 10: ON

DMX-512 function

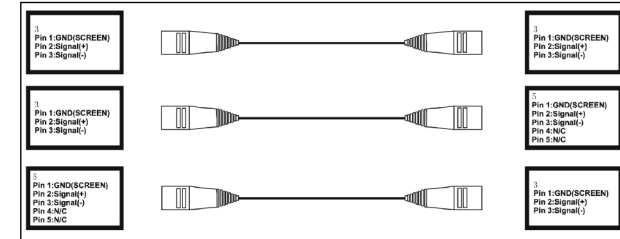
The DMX CLUSTER laser uses DMX-512 signal. It has 5 control channels. The details of DMX-512 signal control mode address switch as follow:

channel	Numerical Value of DMX-512:0~255	Controlling Objectives
CH1	0~50	Laser shut off
	51~101	DMX-512 mode control
	102~152	DMX-512 automatically run mode
CH2	153~255	DMX-512 sound control mode
	0~224	Grid position selection
	225~240	Grid clockwise rotation
CH3	241~255	Grid anti-clockwise rotation
	0~255	Moving speed selection
CH4	0~255	Moving speed selection
CH5	0~255	6 colour effect selection

Dmx cables
Male xlr to female xlr
Wiring is
Pin 1 ground
Pin 2 hot
Pin 3 negative



If using 5 pin xlr follow wiring instructions below



When using a dmx controller to operate several units, each unit will need to have a separate head address.

The address of the first unit is set as 1, the second unit has also 5 channels, so its address code is 6, the third unit is set at 11, so on and so forth (the setting method will also depend on the specific controller, the above is just for general cases).

Lamp no	Start address	Control switch (ON)
1	1	1
2	6	2&3
3	11	1&2&4
4	16	5
5	21	1&3&5
6	26	2&4&5
7	31	1&2&3&4&5
8	36	3&6
9	41	1&4&6
10	46	2&3&4&6
⋮	⋮	⋮

Please note about master and slave
 When using master and slave mode, control from a dmx controller is not available Only two heads can be linked in master and slave mode.

